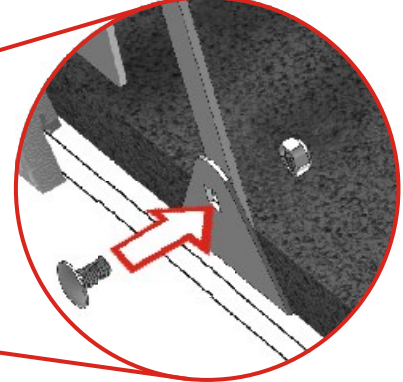
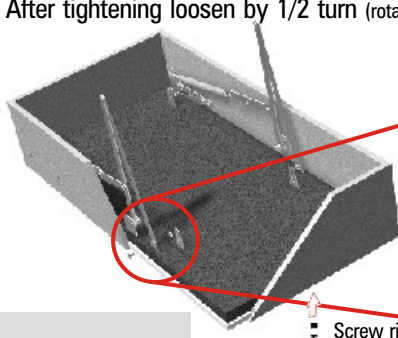


Installation Guide Attic Hatch

Prior to the installation, remove edge protectors on all 4 corners!
Always install attic hatch without stair!

Make sure to lubricate all joints / rotation points with oil once a year.

1 Set-up levers: After tightening loosen by 1/2 turn (rotation point).

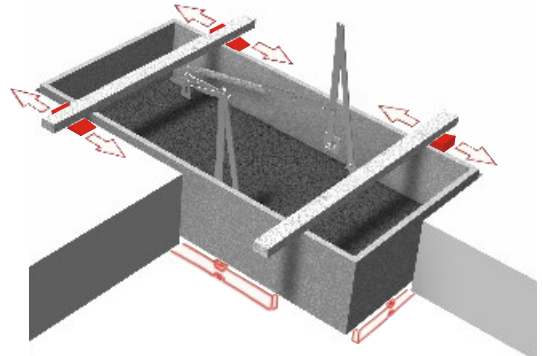
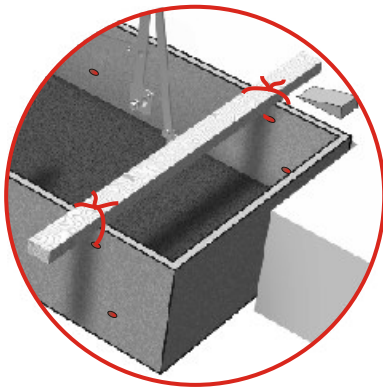


Glue in sealing tape (see Installation Guide Sealing System)

Screw ring eye into catch until it stops.

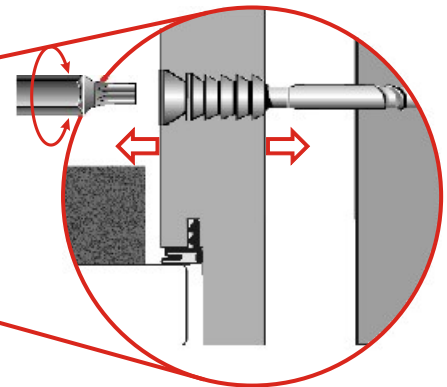
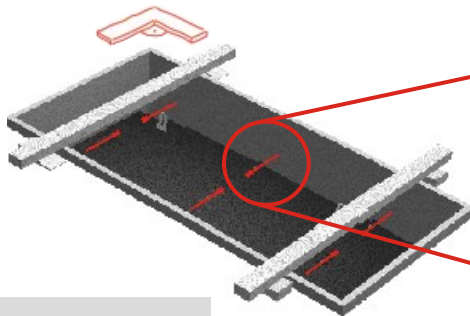
2 Strap two roof battens, hinge-in attic hatch and align lining to height with 4 wooden wedges.

Level and flush with ceiling (spirit level).



3 Underlay at pre-drilled holes and screw in adjusting screws (6x). Align lining to right angle.

(Remeasure diagonals). For concrete ceiling, use 8-mm dowels.



Push in insulating braid, glue on sealing tape. (see Installation Guide Sealing System)

4 After completion of any other work on the ceiling: Mount architraves: Interlock. Test. Uncover adhesive tape. Press on firmly. Position retaining pins. (see Installation Guide Architraves)

Installation of stairs:
Please turn page over!

weilhöfer
TREPPEN AUS WÜRZBURG

Installation Guide Stairs

Spring tension (weight counterbalance) must be adjusted with screw nut attached on eye bolt.

GutHolz / StahBlau

1 Fasten stairs with screws within supports.

Fasten screw in top part of supports.

2 For **height adjustment**, adjust stringers in the lower supports until stair sections are in alignment. Only then tighten all screws.

STEEP
= maximum ceiling height

GENTLE
= minimum ceiling height

3 When ceiling height has been adjusted correctly, stick on floor protection covers (GutHolz).

LiliPut

1 Loosen the two upper screw nuts of the stair.

2 Fasten stair and locking device with screws within supports.

3 Loosen nuts again by 1/2 turn (rotation point).

4 Stick on floor protection covers. Align landing brackets horizontally to floor in order to prevent pressure marks.