

# Installation Guide Attic Hatch

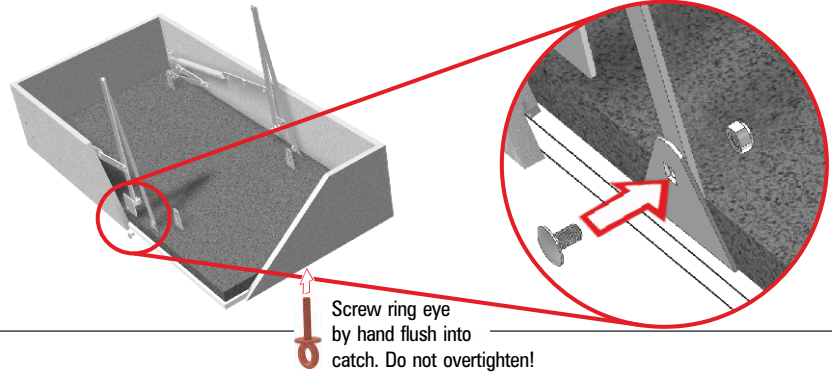


**⚠ Time of installation: Watch humidity at construction side!**  
Only install attic stairs when standard climate has been established.

Before installation: **Ceiling opening must satisfy the fire protection requirements.**

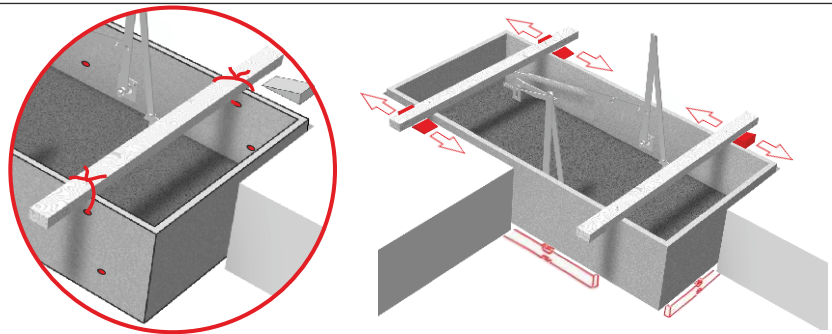
Always install attic hatch without stairs. Annually inspect in order to ensure that all screws and nuts, except for those at the rotation points of the levers, are tightened securely. Make sure to lubricate all joints / rotation points with oil once a year.

**1 Set-up levers:**  
After tightening loosen by 1/2 turn (rotation point).

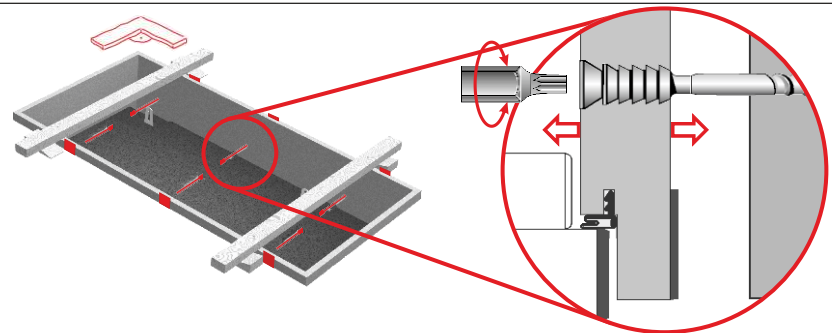


**⚠** Before hanging the attic hatch, glue the sealing tape into the ceiling opening.

**2** Strap two roof battens, hinge-in attic hatch and **align it horizontally** with 4 wooden wedges (spirit level). **Casing frame flush with ceiling**, door protrudes

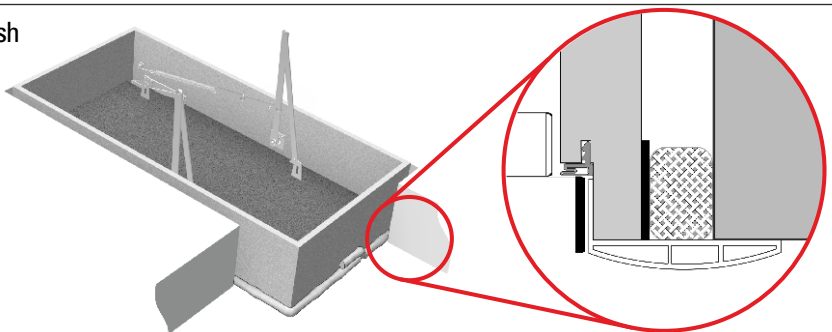


**3** Underlay at pre-drilled holes and screw in adjusting screws (6x). **Align lining to right angle** (Remeasure diagonals, balance distance between hatch frame and door along the longitudinal sides). **Even out the surrounding gap, gap width max. 2cm.** For concrete ceiling, use dowels.



**4** Press fire protection braid from below flush into the gap. **Completely seal gap.** Overlap about 10 cm at the seam.

At end of installation:  
Close mounting holes with cover caps.



**⚠** Push insulation braid into the gap. Glue sealing tape on frame bar.

**5** After completion of any other work on the ceiling: Mount cover profiles: Interlock. Test. Uncover adhesive tape. Press on firmly. Fix. (see Installation Guide cover profiles)

**Installation of stairs:  
Please turn page over!**

Execute the **marked points** exactly. Only then the **Fire Protection System** meets the requirements of the certification and you will be on the safe side.

**weilhöfer**  
TREPPEN AUS WÜRZBURG

# Installation Guide Stairs

 **Correct height adjustment:** The installation of the floor must have been completed entirely.



**DIN EN 14975** **DIN 3193**

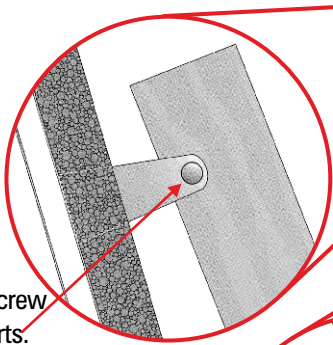
All attic stairs are manufactured in accordance with DIN-EN and are overload method tested for a load of 150 kg (AluDrei for 200 kg).

## 3-section: GutHolz / AluDrei / StahlBlau

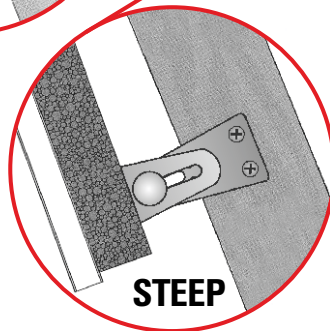
**1** Fasten stairs with screws within supports. Install handrail (Installation Guide Handrail).



Fasten screw in supports.

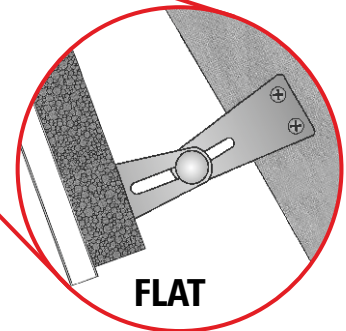


**2** For **height adjustment**, adjust stringers in the lower supports until stair sections are in alignment. Only then tighten all screws.



**STEEP**

= maximum floor-to-ceiling height

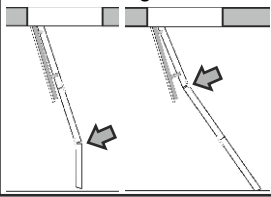


**FLAT**

= minimum floor-to-ceiling height

**Incorrect!**

Stair sections are not in alignment:

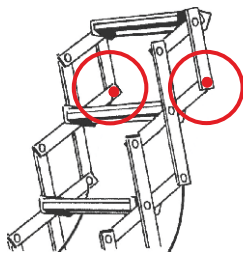


**3** When floor-to-ceiling height has been adjusted correctly, stick on floor protection covers (GutHolz).

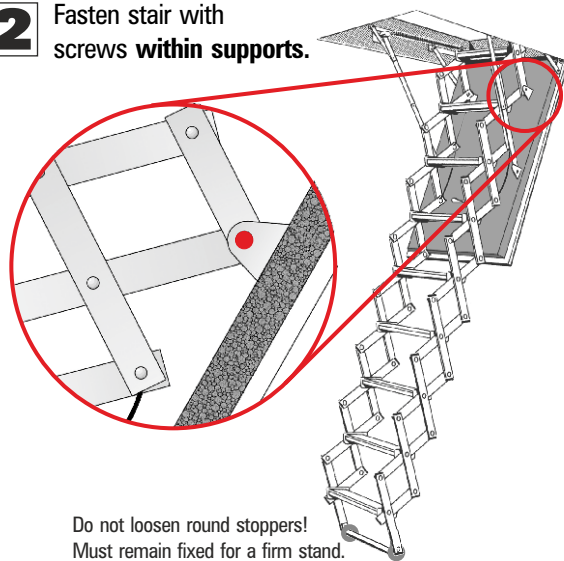
## Concertina: LiliPut In case of Liliput with comfort operation pay attention: Installation guide Liliput comfort operation

**1** Loosen the two upper screw nuts of the stair.

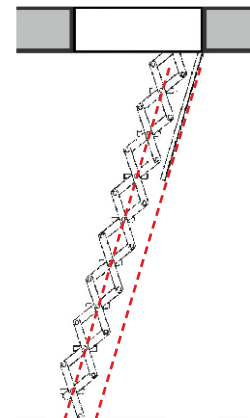
**2** Fasten stair with screws within supports.



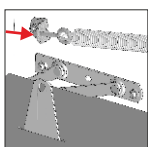
Install handrail telescope (Installation Guide Liliput Handrail Telescope)



Do not loosen round stoppers! Must remain fixed for a firm stand.



**3** Align stairs parallel to the fully opened door. Check secure stand.



When installation is completed, **check tight closing of the hatch door** and fine tune the factory setted spring tension if necessary (nut at ringscrew). Springs are under tension! Therefore only adjust from above with hatch door closed.

**weilhöfer**  
TREPPEN AUS WÜRZBURG