



Installation Guide Attic Hatch



Time of installation: Watch humidity at construction side!

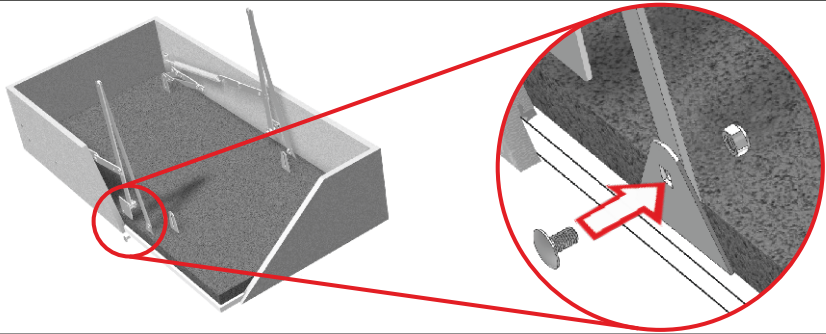
Only install attic stairs when standard climate has been established.

Before installation: **Ceiling opening must satisfy the fire protection requirements.**

Always install attic hatch without stairs. Annually inspect in order to ensure that all screws and nuts, except for those at the rotation points of the levers, are tightened securely. Make sure to lubricate all joints / rotation points with oil once a year.

1

Set-up levers: After tightening loosen by 1/2 turn (rotation point).



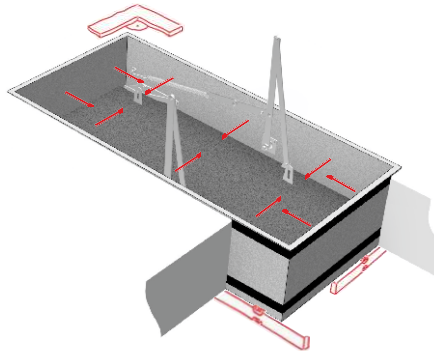
Ceiling connection!
(Installation Guide Connection System)

Before hanging the attic hatch, glue the sealing tape into the ceiling opening.

2

Adjust hatch:

- flush with ceiling bottom and top edge of ceiling, horizontal (spirit level)
 - at right angles (remeasure diagonals)
- Even out the surrounding gap, gap width max. 2cm.



Select fixing points:

- 3 on each long side
 - 2 on each end
- Even out distances between fixing points in the hatch:
- 15-20cm to the corners
 - 10-15cm to the bottom edge

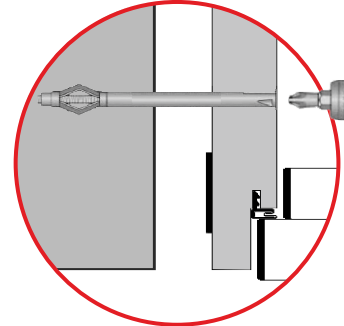
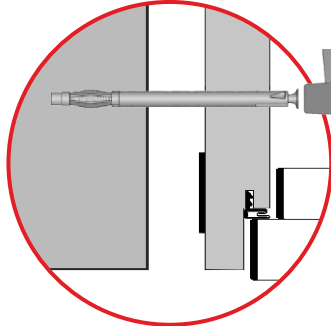
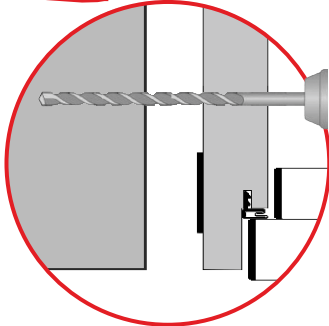
3

Affix hatch: 10x metal frame dowels

- underlay and drill

- set dowels

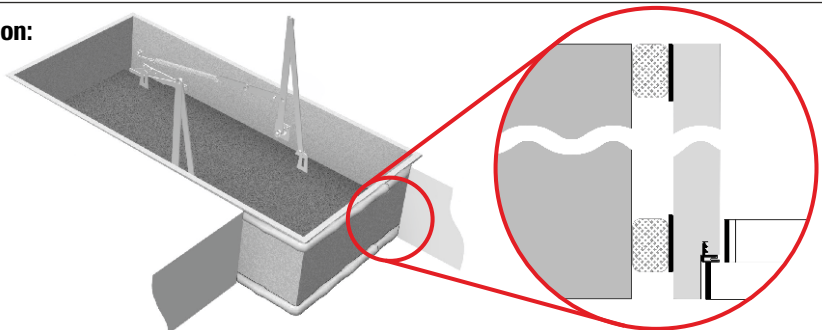
- tighten screws



4

Execute the gap according to certification:

Press fire protection braids **from above and below** into the gap. **Completely seal gap.**



Ceiling connection!
(Installation Guide Connection System)

Before hanging the attic hatch, glue the sealing tape into the ceiling opening.

5

After completion of any other work on the ceiling: **Mount cover profiles:** Interlock. Test. Uncover adhesive tape. Press on firmly. Fix. (see Installation Guide cover profiles)

Installation of stairs:
Please turn page over!

Execute the **marked points** exactly. Only then the **Fire Protection System** meets the requirements of the certification and you will be on the safe side.

weilhöfer
TREPPEN AUS WÜRZBURG

Installation Guide Stairs

 **Correct height adjustment:** The installation of the floor must have been completed entirely.



DIN EN 14975 **DIN 3193**

All attic stairs are manufactured in accordance with DIN-EN and are overload method tested for a load of 150 kg (AluDrei for 200 kg).

3-section: GutHolz / AluDrei / StahlBlau

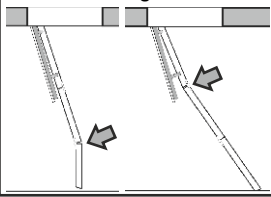
1 Fasten stairs with screws within supports. Install handrail (Installation Guide Handrail).



Fasten screw in supports.

2 For **height adjustment**, adjust stringers in the lower supports until stair sections are in alignment. Only then tighten all screws.

Incorrect!
Stair sections are not in alignment:



STEEP

= maximum floor-to-ceiling height

FLAT

= minimum floor-to-ceiling height

3 When floor-to-ceiling height has been adjusted correctly, stick on floor protection covers (GutHolz).

Concertina: LiliPut In case of Liliput with comfort operation pay attention: Installation guide Liliput comfort operation

1 Loosen the two upper screw nuts of the stair.

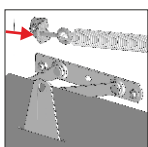
2 Fasten stair with screws within supports.



Install handrail telescope
(Installation Guide Liliput Handrail Telescope)

Do not loosen round stoppers!
Must remain fixed for a firm stand.

3 Align stairs parallel to the fully opened door. Check secure stand.



When installation is completed, **check tight closing of the hatch door** and fine tune the factory setted spring tension if necessary (nut at ringscrew). Springs are under tension!
Therefore only adjust from above with hatch door closed.

weilhöfer
TREPPEN AUS WÜRZBURG