



Installation Guide Handrail for GutHolz / StahlBlau

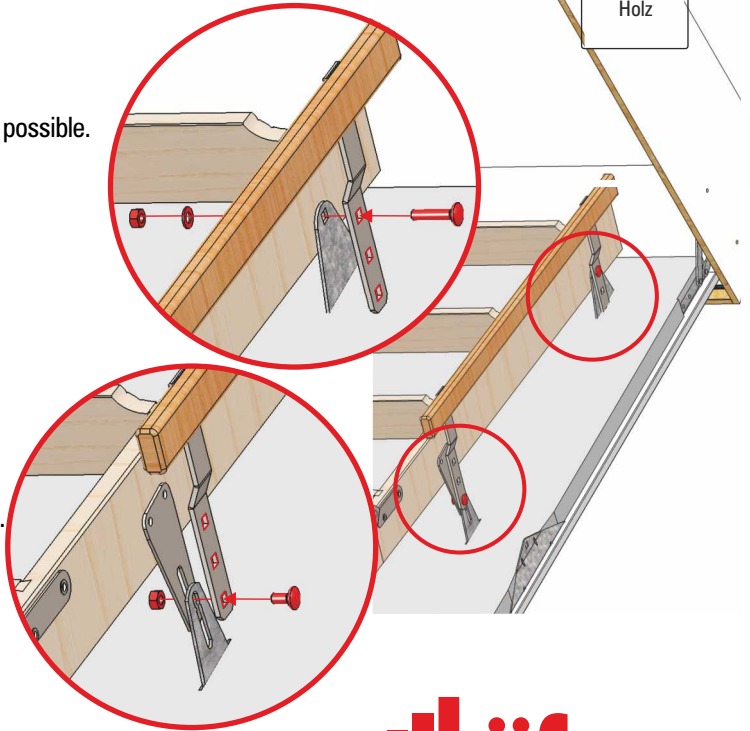
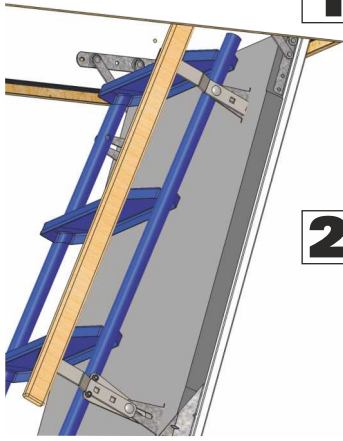
Do not put any load on stairs during installation of the handrail!



Install handrail together with stairs.
 (Installation Guide Attic Stairs / Stair part)
 Handrail can be used right or left.
 For high stairs with left side spring, only right-side handrail possible.

1 Fix handrail outside the supports (stair part inside). Use screws of the stair fastening.

2 Mount handrail as parallel as possible to the stringers: Select suitable of the 3 punched holes. Adjust stairs to floor-to-ceiling height. (Installation Guide Attic Stairs / Stair part) Tighten screws.



248i-123_523EN



Watch for correct height adjustment of the stairs!
 (Installation Guide Attic Stairs / Stair part)

weilhöfer
 TREPPEN AUS WÜRZBURG

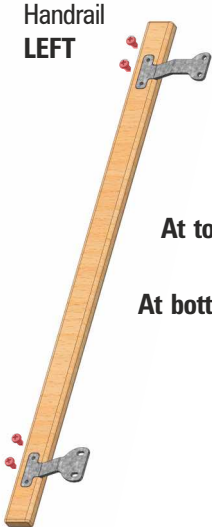
Installation Guide AluDrei-Handrail

Do not put any load on stairs during installation of the handrail!

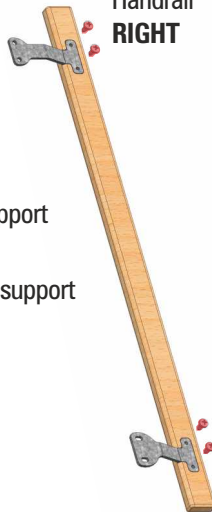
1

Mounting supports in wooden handrail
Watch arrangement of supports for LEFT/RIGHT use
 For high stairs with left side spring, only right-side handrail possible.

Handrail
 LEFT



Handrail
 RIGHT



At top always long support

At bottom always short support

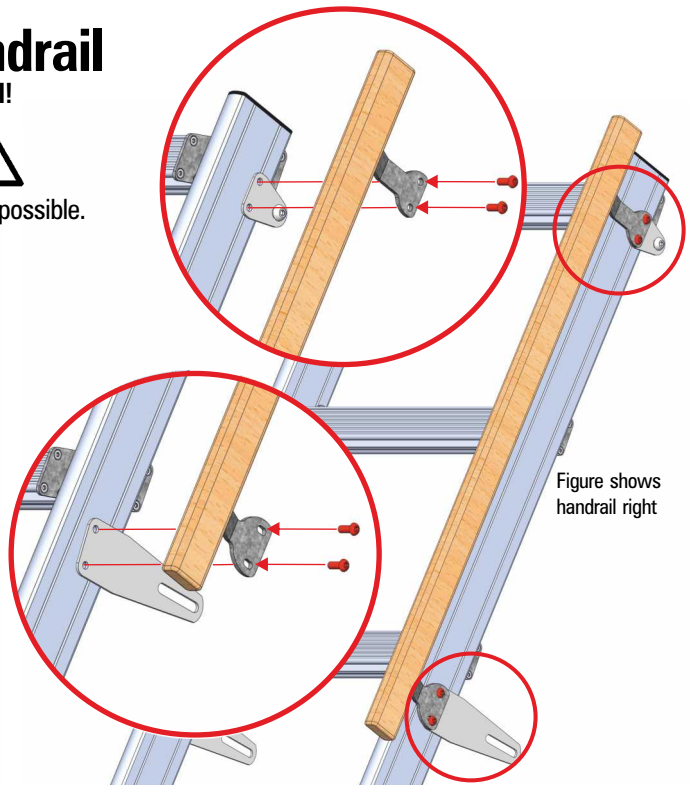


Figure shows handrail right

2

Screw handrail to stairs

3

Install stairs
 (Installation Guide Attic Stairs / Stair part)

248i-123b_523EN

weilhöfer
 TREPPEN AUS WÜRZBURG