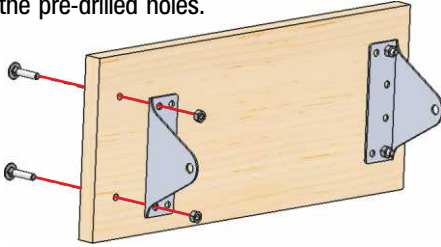


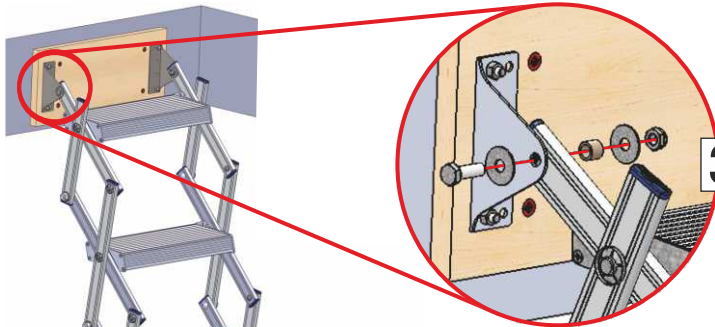
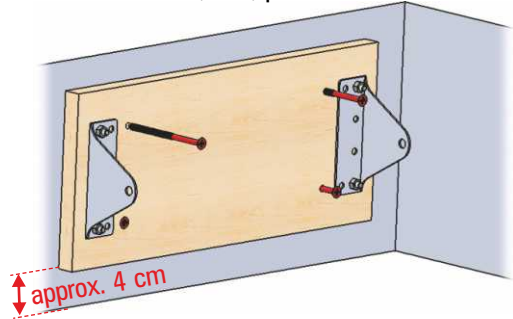
Aluminium concertina loft ladder with backboard

Oil all joints / rotation points once a year. Control firm fit of backboard and brackets annually.

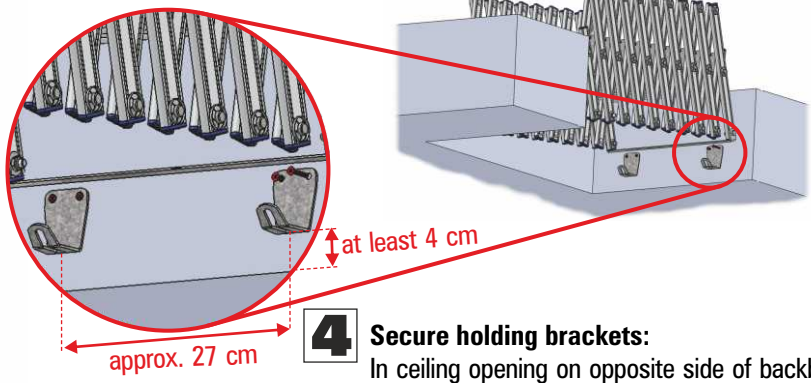
- 1 Secure brackets in place:**
Secure the brackets to the backboard with the carriage bolts (M6x30) through the pre-drilled holes.



- 2 Secure backboard:**
Provide for a reasonable mounting possibility. Select a suitable position on the ceiling! Secure the backboard in the ceiling opening with the 4 wood screws (6x100) provided.

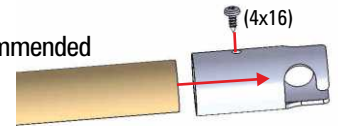


- 3 Secure ladder:**
Fasten ladder within brackets on both sides with the ladder's securing screws (8x25).
After tightening screws, loosen nuts again by 1/2 turn (rotation point).



- 4 Secure holding brackets:**
In ceiling opening on opposite side of backboard: Secure both holding brackets (which hold ladder in resting position) by using 2 wood screws (4.5x30) at each bracket, approx. 27 cm apart of each other.

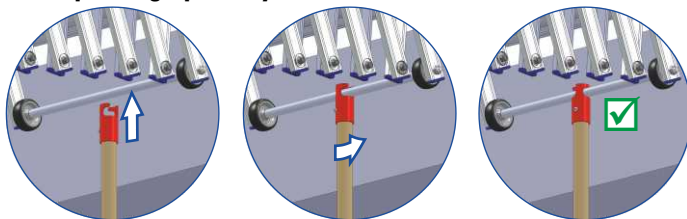
- 5 Tension rod:**
Tension rod must be provided on-site. Recommended length at least 120 cm; Ø24 mm. Push on control head and screw tight.



The aluminium concertina loft ladder is manufactured in accordance with DIN EN and is tested for a maximum load of 150 kg.

Do not loosen round stoppers!
Must remain fixed for a firm stand.

Attach operating tip visibly

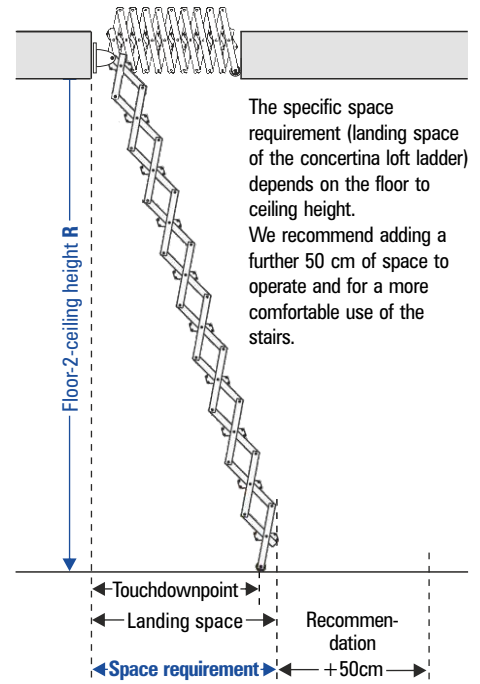
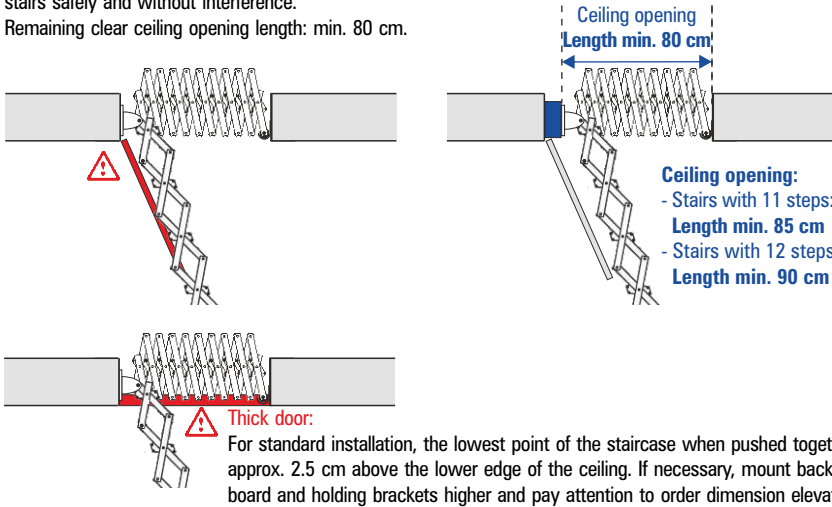


When moving the stairs:
Guide and control the stairs safely at all times by twisting the pull rod around the foot rod of the stair section!

Additional information concertina loft ladder with backboard

Existing hatch with door on site

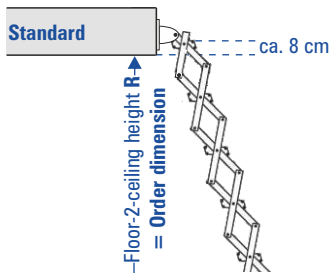
If the door of the existing hatch cannot be opened 90°, the door may be in the way!
 Solution: Install sufficiently dimensioned squared timber on site to create the required clearance and use the stairs safely and without interference.
 Remaining clear ceiling opening length: min. 80 cm.



The specific space requirement (landing space of the concertina loft ladder) depends on the floor to ceiling height. We recommend adding a further 50 cm of space to operate and for a more comfortable use of the stairs.

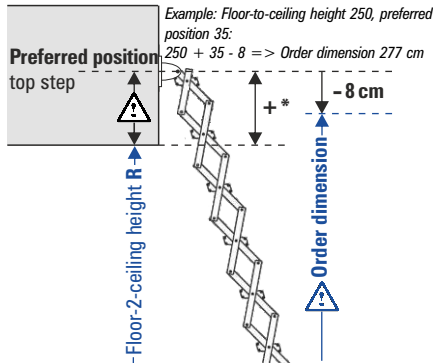
Standard

Order dimension = Floor-2-ceiling height
 Back board and opposite holding brackets are mounted 4 cm above the lower edge of the ceiling as standard
 => Top step approx. 8 cm above the lower edge of the ceiling



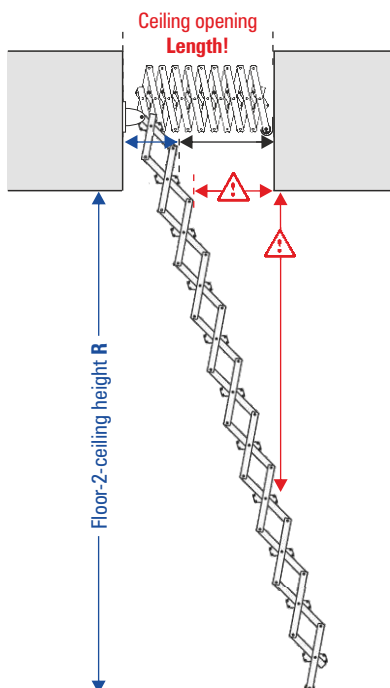
Elevated/shaft

Order dimension Elevated
Order dimension = Floor-2-ceiling height + preferred position* - 8 cm
 *Distance top step to lower edge of the ceiling



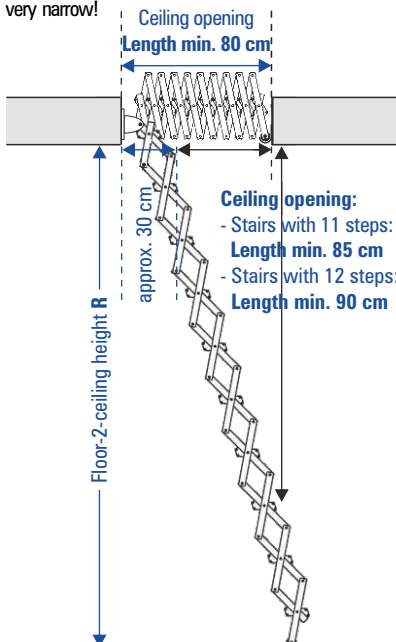
Note elevated

The further up the shaft the staircase is installed, the smaller the clearance and headroom will be!



Ceiling opening Length

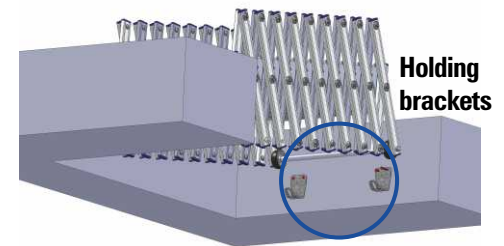
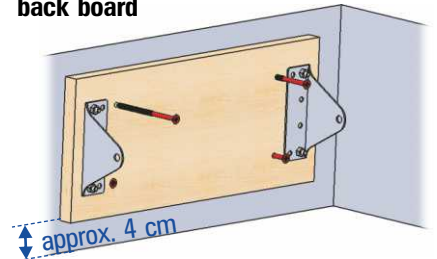
From a ceiling opening length of 80 cm, concertina stairs with back board (up to floor-2-ceiling height 269 cm) are possible. We recommend a minimum length of 90 cm for the ceiling opening, otherwise the clearance will be very narrow!



Steps	Floor-to-ceiling height	Space requirement
9	214 - 242	91
10	243 - 269	100
11*	270 - 296	108
12**	297 - 320	117

Ceiling opening minimum length: *85 cm, **90 cm

Standard position back board



Provide tension rod for guidance head on site. Recommended length min. 120 cm; Ø24 mm.



Check installation guide for more details!