

Installation and User Guide Please pass on to user/owner!

KNIESTOCK TURE Wall Hatch Cabinet type

 **Only remove the adhesive tape from the door leaf, when the furniture knob is already mounted!**
 Otherwise the door can no longer be opened (exception PushLock)

Choose opening side to the right or left.

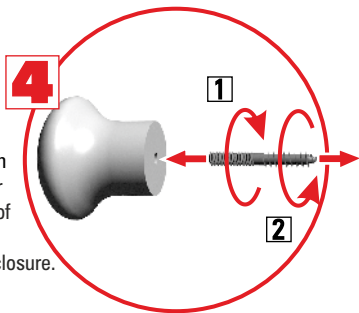
1 To make installation easier:
Detach door with concealed hinges



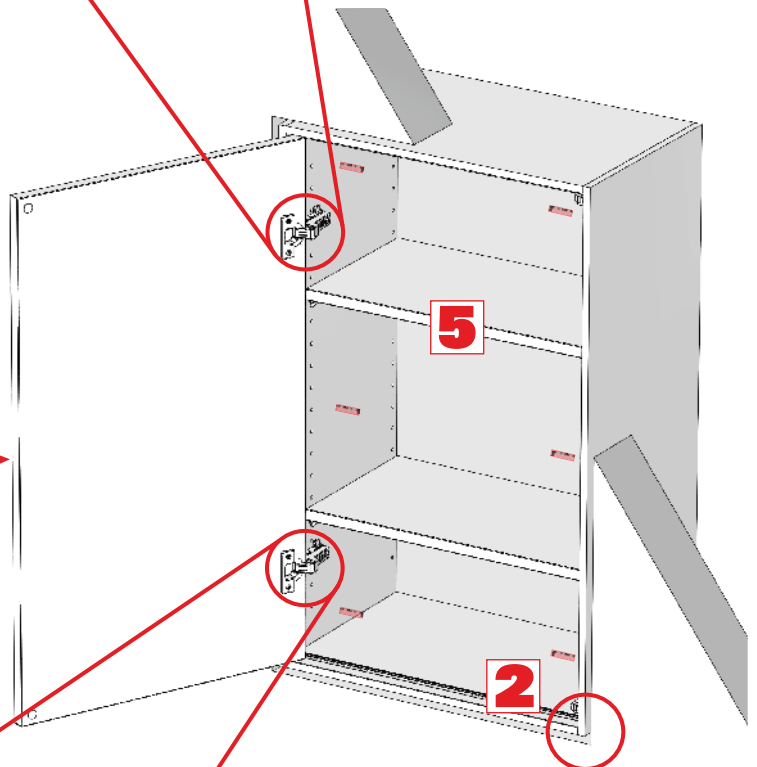
2 Place **cabinet** in wall opening and **adjust**
 - even out surrounding gap (max. 2 cm)
 - flush to wall and at right angles (remeasure diagonals)
Underlay and screw tight

3 For **wall-flush** type:
 Mount plastering profiles
 (see Installation Guide Plastering Profiles)

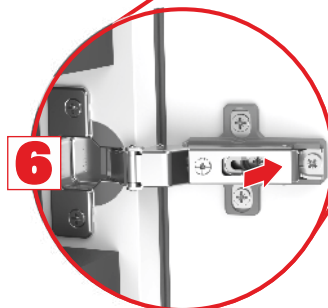
4 **Mount knob at pre-drilled position**
 For versions without borehole: Pre-drill $\varnothing 3$ mm at the desired position for the knob or set a handle of your choice.
 No knob with PushLock-closure.



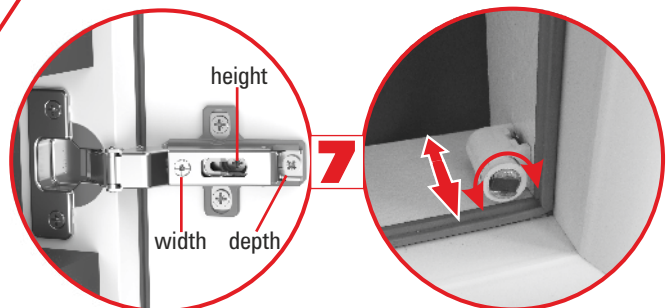
5 **Shelves** if also ordered:
 Remove transport locks and insert shelf holders in the desired position.



6 **Click door back in**



7 **Align door exactly**
 Adjustments with the appropriate screws
 If required: Re-adjust (rotate) magnets at the frame



After completion of any other work on the wall:

8 **Mount cover profiles** (not needed with wall-flush type)
 Interlock. Test. Uncover adhesive tape. Press on firmly.
 (see Installation Guide Cover Profiles)

weilhöfer
 TREPPEN AUS WÜRZBURG