

Installation and User Guide Wall Hatch **TURE**

3-sided type:
Please turn page

⚠ Please pass on to user/owner!



⚠ Before installing the wall hatch:
Glue sealing tape into the wall opening
(see Installation Guide Connection System)

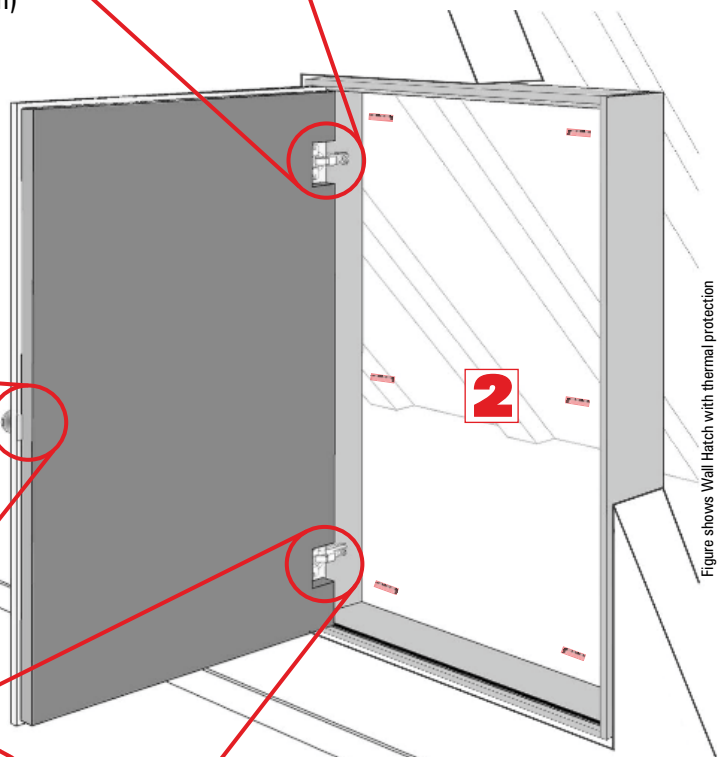
Choose opening side to the right or left.



1 To make installation easier:
Detach door with concealed hinges



2 Place **frame** in wall opening and **adjust**
- even out surrounding gap (max. 2 cm)
- flush to wall and at right angles
(remeasure diagonals)
Underlay and screw tight

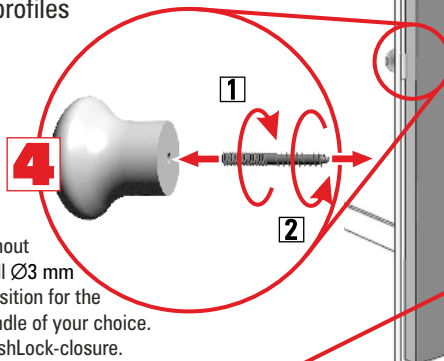


⚠ Push insulating braid into gap, glue sealing tape onto frame.
(see Installation Guide Connection System)

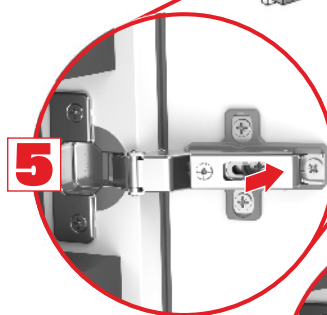
3 For **wall-flush** type:
Mount plastering profiles
(see Installation Guide Plastering Profiles)



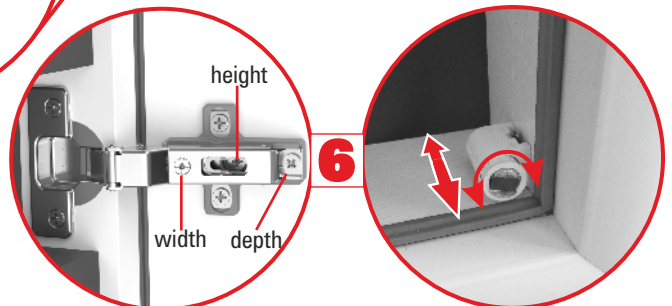
4 Mount knob at pre-drilled position.
For versions without borehole: Pre-drill $\varnothing 3$ mm at the desired position for the knob or set a handle of your choice. No knob with PushLock-closure.



5 Click door back in



6 Align door exactly
Adjustments with the appropriate screws
If required: Re-adjust (rotate) magnets at the frame



After completion of any other work on the wall:

7 Mount cover profiles (not needed with wall-flush type)
Interlock. Test. Uncover adhesive tape. Press on firmly.
(see Installation Guide Cover Profiles)

weilhöfer
TREPPEN AUS WÜRZBURG