

Installation and User Guide Wall Hatch **TURE**

3-sided type:
Please turn page

⚠ Please pass on to user/owner!



⚠ Before installing the wall hatch:
Glue sealing tape into the wall opening
(see Installation Guide Connection System)

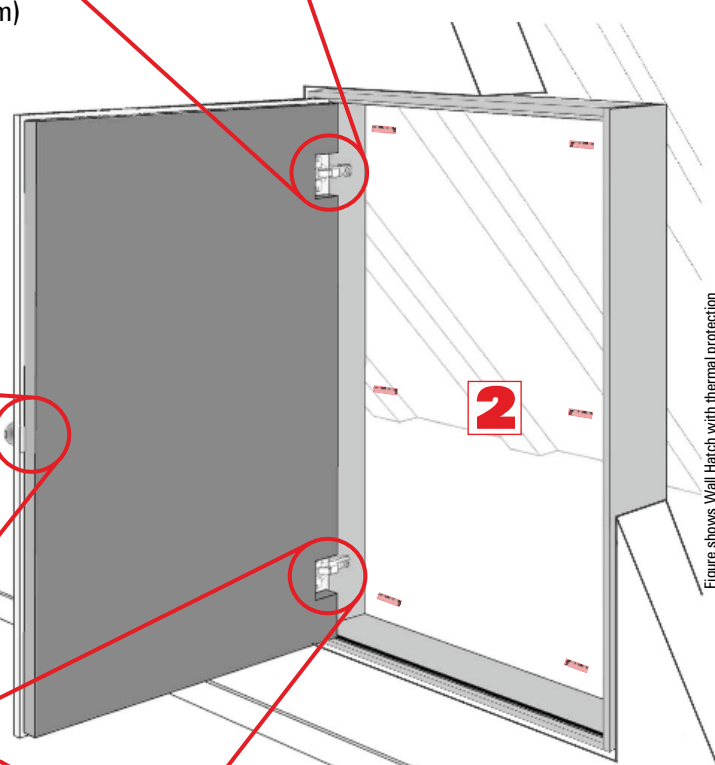
Choose opening side to the right or left.



1 To make installation easier:
Detach door with concealed hinges



2 Place **frame** in wall opening and **adjust**
- even out surrounding gap (max. 2 cm)
- flush to wall and at right angles
(remeasure diagonals)
Underlay and screw tight

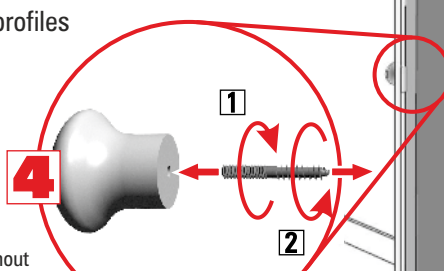


⚠ Push insulating braid into gap, glue sealing tape onto frame.
(see Installation Guide Connection System)

3 For **wall-flush** type:
Mount plastering profiles
(see Installation Guide Plastering Profiles)



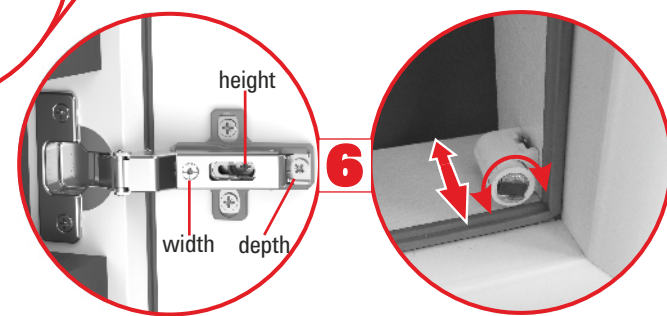
4 Mount knob at pre-drilled position.
For versions without borehole: Pre-drill $\varnothing 3$ mm at the desired position for the knob or set a handle of your choice. No knob with PushLock-closure.



5 Click door back in



6 Align door exactly
Adjustments with the appropriate screws
If required: Re-adjust (rotate) magnets at the frame



After completion of any other work on the wall:

7 Mount cover profiles (not needed with wall-flush type)
Interlock. Test. Uncover adhesive tape. Press on firmly.
(see Installation Guide Cover Profiles)

weilhöfer
TREPPEN AUS WÜRZBURG

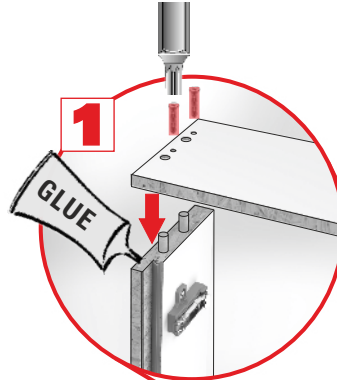
Installation and User Guide Please pass on to user/owner!




Before installing the wall hatch:
 Glue sealing tape into the wall opening
 (see Installation Guide Connection System)

Opening side according to order.
 3-sided wall hatch can not be rotated.

1 Glue and stick frame together;
 screw it in place:
 Put the frame onto the floor.

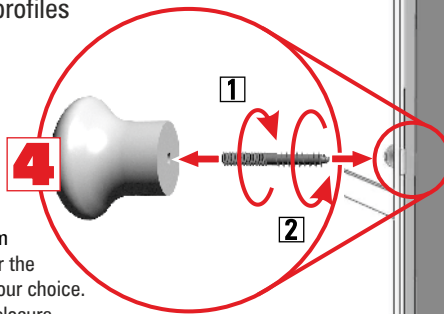


2 Place frame in wall opening and adjust
 - even out surrounding gap (max. 2 cm)
 - flush to wall and at right angles
 (remeasure diagonals)
 Underlay and screw tight

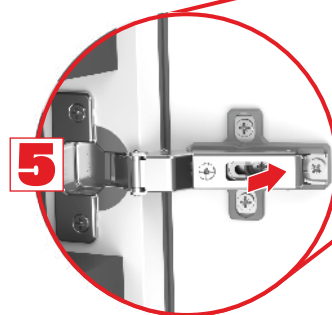
Thermal Protection WS3D WS4D
 Push insulating braid into gap,
 glue sealing tape onto frame.
 (see Installation Guide Connection System)

3 For wall-flush type:
 Mount plastering profiles
 (see Installation Guide Plastering Profiles)

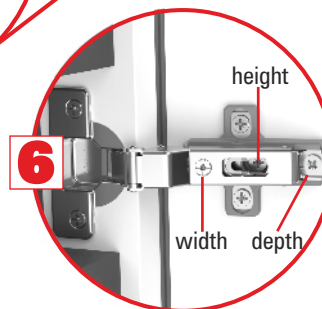
4 Mount knob at pre-drilled position
 For versions without borehole: Pre-drill $\varnothing 3$ mm at the desired position for the knob or set a handle of your choice. No knob with PushLock-closure.



5 Click door back in



6 Align door exactly
 Adjustments with the appropriate screws
 If required: Re-adjust (rotate) magnets at the frame



After completion of any other work on the wall:

7 Mount cover profiles (not needed with wall-flush type)
 Interlock. Test. Uncover adhesive tape. Press on firmly.
 (see Installation Guide Cover Profiles)

weilhöfer
 TREPPEN AUS WÜRZBURG

Figure shows 3-sided Wall Hatch with thermal protection

Installation and User Guide Please pass on to user/owner!

KNIESTOCK TURE Wall Hatch Cabinet type

 **Only remove the adhesive tape from the door leaf, when the furniture knob is already mounted!**
 Otherwise the door can no longer be opened (exception PushLock)

Choose opening side to the right or left.

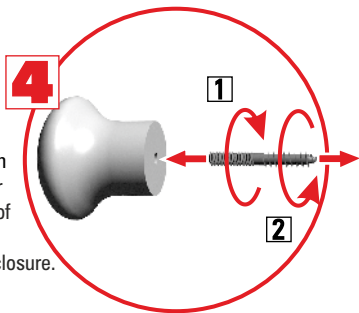
1 To make installation easier:
Detach door with concealed hinges



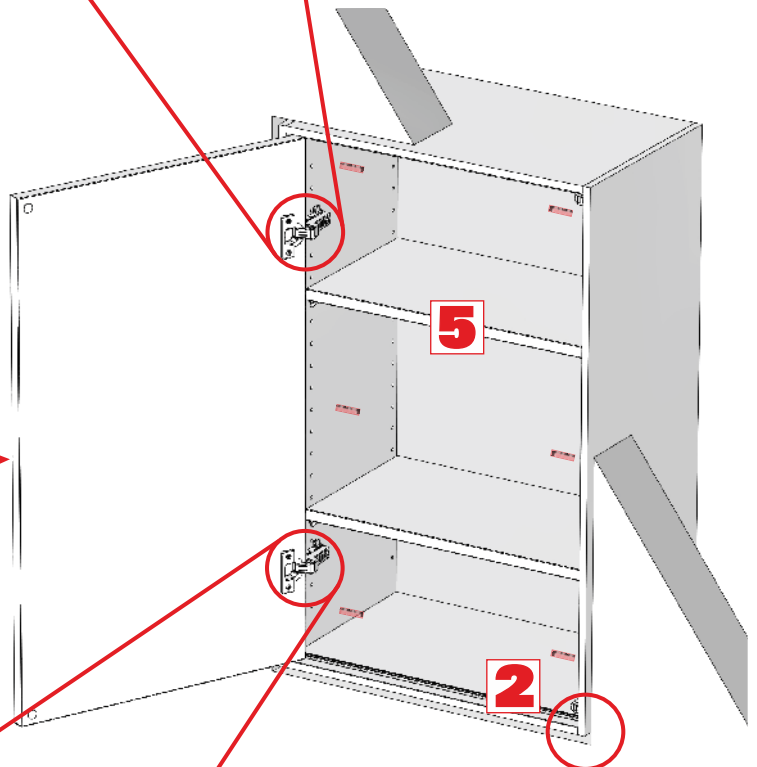
2 Place **cabinet** in wall opening and **adjust**
 - even out surrounding gap (max. 2 cm)
 - flush to wall and at right angles (remeasure diagonals)
Underlay and screw tight

3 For **wall-flush** type:
 Mount plastering profiles
 (see Installation Guide Plastering Profiles)

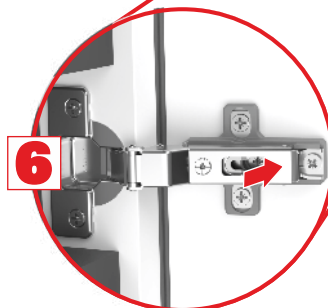
4 **Mount knob** at pre-drilled position
 For versions without borehole: Pre-drill $\varnothing 3$ mm at the desired position for the knob or set a handle of your choice.
 No knob with PushLock-closure.



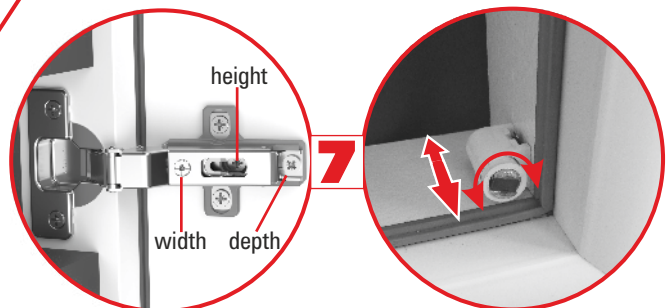
5 **Shelves** if also ordered:
 Remove transport locks and insert shelf holders in the desired position.



6 **Click door back in**



7 **Align door exactly**
 Adjustments with the appropriate screws
 If required: Re-adjust (rotate) magnets at the frame



After completion of any other work on the wall:

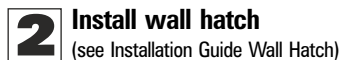
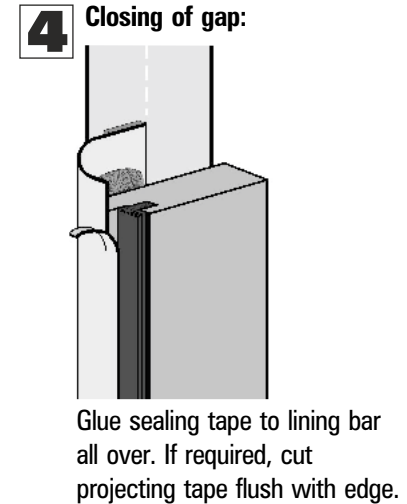
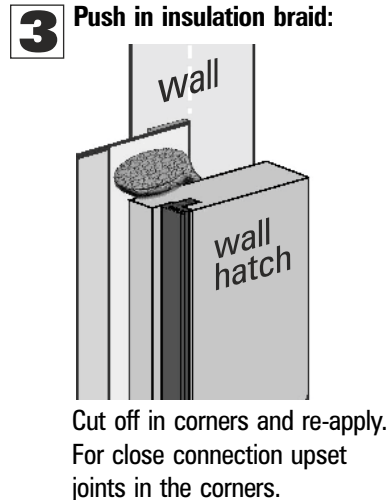
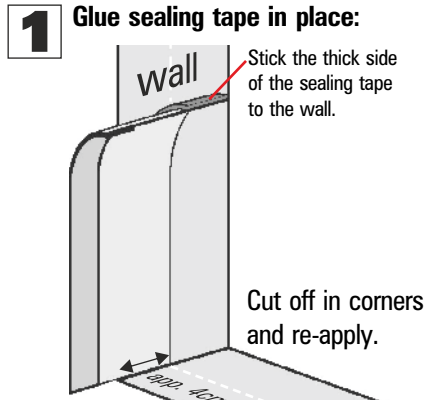
8 **Mount cover profiles** (not needed with wall-flush type)
 Interlock. Test. Uncover adhesive tape. Press on firmly.
 (see Installation Guide Cover Profiles)

weilhöfer
 TREPPEN AUS WÜRZBURG



Installation Guide Connection System

 Always apply sealing tape prior to installation of wall hatch!

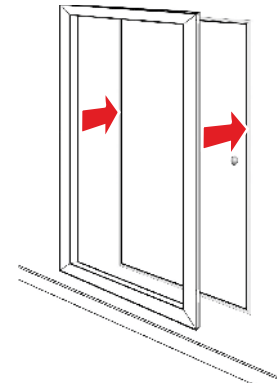
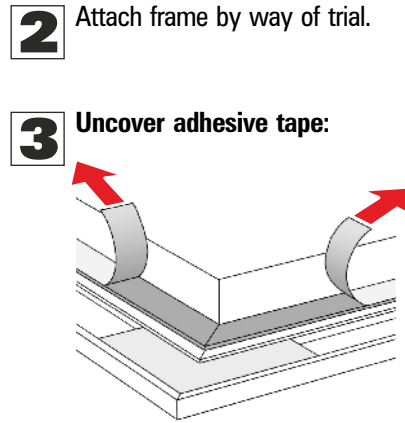
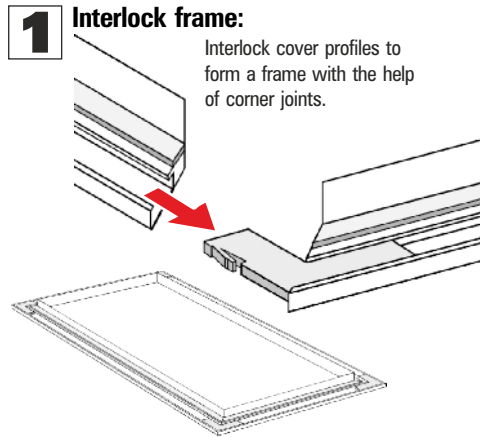


Full effect is gained only if the connection system has been implemented as described above.

wellhöfer
TREPPEN AUS WÜRZBURG

Installation Guide Cover Profiles

Unpack and mount cover profiles only after completion of any other work on the wall!



- 4 Mount cover profiles:**
 Keep wall hatch closed and press frame from front onto clean lining bar and press firmly.
- 5 Remove protective foil from cover profiles front.**

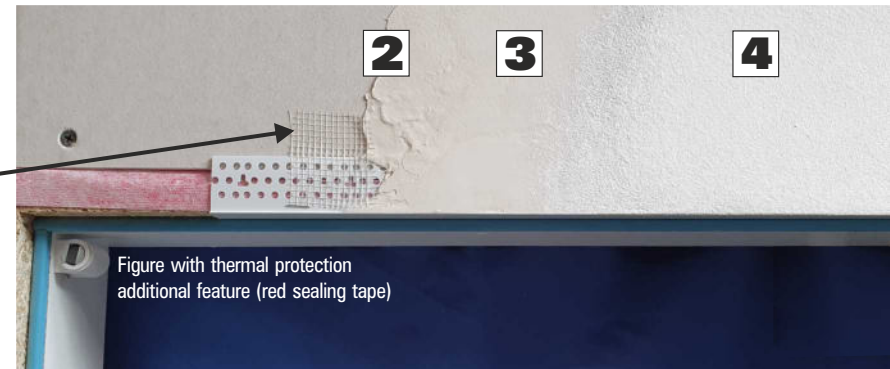
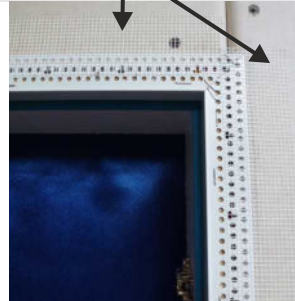
Installation Guide Plastering Profiles

for wall-flush type

- 1 Setting and fixing plastering strips:**
 Put the plastering strips (on mitre) into the fold of the wall hatch frame. Fix them in place (use clips/tacker).



Tip for professional execution:
 Attach a fabric tape on site.



- 2 Apply plaster.**
- 3 Grind.**
- 4 Paint.**