

KNIESTOCK TURE Wall hatch datasheet

So far German only. Sorry for the inconvenience.
Please use internet browser for translation.

Not all forms and features can be combined with each other and influence dimensions. [Use configurator: www.massbox.de](http://www.massbox.de)

Dimensions in centimetres

Standard sizes	
Wall opening dimensions (Width x Height)	60 x 80 60 x 100 70 x 80 70 x 100
Depth of frame	10 (with WS 4D Standard: 15)
Custom-made	
Wall opening dimensions (Width x Height)	min. 30 x 30 max. 120* x 200*
Depth of frame	> 10 - 25

Wall opening dimensions = order dimensions. For installation space, factory-made frame dimensions are 1.5 cm (width/height) smaller.

*For width > 70 cm always double-wing door.

For width > 100 cm or height > 180 cm: Espagnolette-PushLock always required.

For width > 90 cm, height > 160 cm or 3-sided type: Frame as plug-in system.

Hatch door (divergent with wall-flush type)

16 mm chipboard, melanine resin-coated, white, circumferential ABS furniture edge; smooth surface due to covered quality hinges;
Pre-drilled incl. furniture knob - optionally without handle bore;
Cladding possible up to 6 mm and 10 g/m²

Frame

19 mm P5 multifunction board, foil-coated, white, suited for load-bearing purposes in moist areas indoors;
2 magnetic catches each with a retention force of 5 kg;
Opening side left or right possible

hoka twin-wall-sealing

TPV profile with two degrees of hardening; 4 mm stroke, resistant against temperature / environmental influences and ageing, circumferential with groove in the frame fold

Quality hinges

Automatic hinges with clip-on technology to easily remove / insert the door leaf for maximum clearance; simple adjustment (width, height, depth) of the door

Cover profiles (divergent with wall-flush type)

Plastic, white, rounded special profile 40 x 6 mm, on mitre, pre-mounted adhesive tape, plug-in system with corner joints; for custom-made wall hatches 55 mm wide as an option

Shapes

Double-wing door

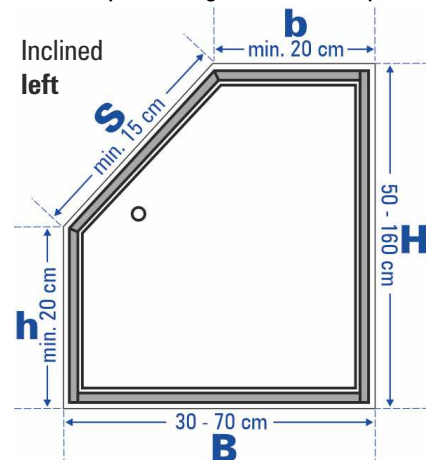
Vertically centred divided door leaf; with stop bar
Always custom-made. From W \geq 50 cm possible, from W > 70 cm required.

3-sided without threshold (max. 100 x 180 cm)

Frame open at the bottom. Always specify right/left hand door.
Frame height 0.75 cm shorter than the wall opening. Lateral frame parts are set on the floor; functional joint between floor and door.

5-cornered inclined

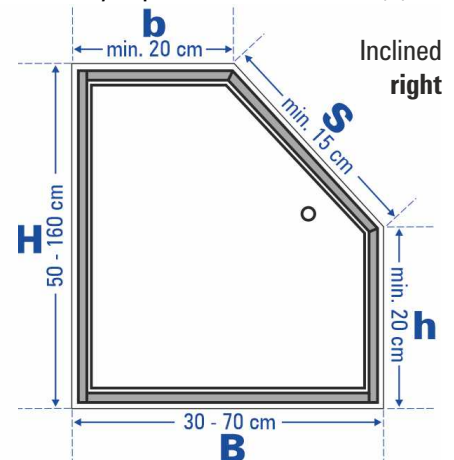
Wall opening dimensions = order dimensions; frame depth 10 - 25 cm; always custom-made. Handle knob loosely enclosed for individual positioning, door leaf not pre-drilled. Hinges always on the high side (H), door always opens on the short side (h).



Width:
- Bottom width (B): 30 - 70 cm
- Width top (b): min. 20 cm and < B

Height:
- Long height (H): 50 - 160 cm
- Short height (h): min. 20 cm and < H

Bevel:
The length of the slanted side (S) is calculated from the other 4 dimensions. For technical reasons, the length of the sloping side must always be at least 15 cm.



Cabinet

With indented back wall 8 mm thick; optional with up to 5 shelves in the right size, each incl. 4 shelf holders
Always custom-made, W x H x D: From 20 x 45 x 15 cm up to 70 x 100 x 40 cm.
Factory-made frame dimensions 1.5 cm (width/height) smaller than wall opening.
Factory-made cabinet depth = order dimension cabinet depth.

Features and optics

Wall-flush type (max. 100 x 180 cm)

Thicker door leaf 19 mm; instead of circumferential rounded cover profiles incl. plastering profiles for flush on-site plastering
Not suitable for cladding.

Lock (single-wing; width max. 70 cm)

Deadlock with round cylinder incl. 2 keys

PushLock-closure (single-wing; width max. 70 cm)

Retractable knob with vertically centered latch, single locking

Espagnolette-PushLock

Retractable knob with vertically centered latch, additional espagnolette bolts with locking hooks at top and bottom for 3-point locking

Always required from width >100 cm or height >180 cm

Energy conservation

Thermal protection WS 3D

Material: 48 mm thermodeck insulation; connection system: double-sided adhesive sealing tape and insulation braid
Insulation value* $U=0.75 \text{ W/(m}^2\text{K)}$
Airtightness value connection system $a=0.02 \text{ m}^3/\text{hm}(\text{daPa}^{2/3})$
incl. sealing system for airtight installation

Thermal protection WS 4D (Depth of frame 15 cm as standard)

Material: 96 mm thermodeck insulation; connection system: double-sided adhesive sealing tape and insulation braid
Insulation value* $U=0.50 \text{ W/(m}^2\text{K)}$
Airtightness value connection system $a=0.02 \text{ m}^3/\text{hm}(\text{daPa}^{2/3})$
incl. sealing system for airtight installation

* 3-sided type (due to functional joint floor-door) and 2-wing version (due to divided door with stop bar) with reduced insulation effect and not tight.

Blower-Door (single-wing; max. 70 x 100 cm; not for 3-sided/5-cornered)

Material: Special hinges and additional lock
Suitable for blower-door test
Airtightness value wall hatch $a=0,04 \text{ m}^3/\text{hm}(\text{daPa}^{2/3})$

Wall hatch with fire protection FS30 2S

Frame: 2x 6.5 mm multiplex plate with 6 mm silicate fire protection plate in sandwich;
2x external circumferential retardation strips;
corner reinforcement with external aluminium brackets
Door: 2x 16 mm chipboard B1 with retardation strip;
melanin resin-coated, white
Braids: 2x, fire class A1, not inflammable
Hinges: Screw-on hinges with opening angle 130° to 165°
Lock: with round cylinder; forced closure
Test: Completions of maintenance opening panels and connection type-tested "FS30 2S", fire resistance rating 30 minutes tested on both sides in accordance with DIN 4102-2, DIN 4102-11
Maximum width of the construction element connection joint 20 mm
BD-2101/177/18, MPA Braunschweig

Cover profiles: Plastic, white, on mitre
Dimensions: min. 30 x 30 to max. 70 x 100 cm (width x height)
Wall opening dimensions = order dimensions. For installation space, factory-made frame dimensions are 1.5 cm (width/height) smaller.
Depth of frame: 12 - 25 cm
from height >50: 3 hinges; from height >75: 4 hinges
incl. tested connection system for dry installation
Always specify right/left hand door (DIN 107)
Optionally with thermal protection WS 3D.
Combination with other types / features not possible.