

Wellhöfer - Treppen aus Würzburg



Quick and safe to the fitting product. Use configurators: www.massbox.de

So far German only. Sorry for the inconvenience.

Wellhöfer prices from 01.04.2024

- Attic stairs
- Flat roof exit
- Wall hatches
- Access hatches

Prices in € plus VAT. Ex-works prices.

All dimensions in centimetres.

Order dimensions = construction side dimensions.

Attic stairs / access hatches: Ceiling opening dimensions = order dimensions.

For installation space, factory-made casing dimensions (length/width) are 1.5 cm, for WSPH 4 cm, smaller.

Wall hatches: Wall opening dimensions = order dimensions.

For installation space, factorymade frame dimensions (width/height) are 1.5 cm smaller, with 3-sided type frame height 0.75 cm, smaller.

Technical details in the configurator and product descriptions under

www.wellhoefer.de



**CLIMATE NEUTRAL
PRODUCTS**

certified by fokus-zukunft.com/10014
Currently unavoidable emissions compensated
by climate protection certificates

LOW-EMISSION PRODUCTS
according to the criteria of



**SENTINEL HAUS
INSTITUT**



wellhöfer
TREPPEN AUS WÜRZBURG
www.wellhoefer.de



Wellhöfer Treppen GmbH & Co.KG
Max-Mengeringhausen-Straße 1
97084 Würzburg, Germany

info@wellhoefer.de
Tel. +49 (0)9 31 / 6 14 05-0
Fax +49 (0)9 31 / 6 14 05 71



Attic stairs

As standard with thermal protection **WS3D**:
 Insulation + sealing + connection system
 Component tested:
 Insulation value $U = 0.80$
 Air-tightness Class 4
 Climate-stability Class 3



GutHolz Always the right choice 3-section, wood, step depth 9 cm	AluDrei For highest resilience 3-section, alu, step depth 11 cm	StahlBlau For special requirements 3-section, steel, step depth 11 cm	LiliPut Comfort within little space Concertina, alu, step depth 11 cm
---	--	--	--

Standard sizes	473.-	725.-	699.-	910.-
Ceiling opening dimensions (Length x Width)	110 x 60 110 x 70	120 x 60 120 x 70	130 x 60 130 x 70	140 x 60 140 x 70
Casing height (ceiling thickness)	25			
Floor-to-ceiling heights Floor-to-ceiling height, type of stairs and additional features determine the minimum length of the ceiling opening!				
Floor-to-ceiling height	197 - 360		237 - 314	
Excess height per cm	2.40		from floor to ceiling height >272	

*Floor-to-ceiling height ≥ 320
 Comfort operation required.

Custom-made 73.-	Divergent dimensions and prices with thermal protection WS4D/WSPH and fire protection.			
Ceiling opening dimensions (Length x Width)	min. 100 x 50 max. 160 x 100		min. 105 x 60 max. 160 x 100	
Excess size	70.- from length >140 or width >80			
Casing height (ceiling thickness)	17 - 90			
Extra height and additional step per step	1 step from casing height ≥ 34 2 steps from casing height ≥ 67	1 step from casing height ≥ 36 2 steps from casing height ≥ 69	1 step from casing height ≥ 41 2 steps from casing height ≥ 74	1 step from casing height ≥ 45 2 steps from casing height ≥ 78
Wide cover profiles	38.- 55 mm wide, in combination with custom-made attic stairs; as standard with WSPH			

*recommended min. length 90 cm to avoid very narrow clearance!

Additional features

Always order together with the attic stairs. Guardrail and handrail retrofittable.

Safety Features for all requirements and demands.				
Guardrail	88.-	Tested stability, required by building regulations.		
Handrail		Handrail wood GH/SB 27.-	AluDrei-handrail wood 30.-	Handrail wood GH/SB 27.-
Lock		with round cylinder 55.- / prepared for profile cylinder 60.-		
Energy conservation Save more energy with better thermal protection:				
WS4D	75.-	Double insulation + sealing + connection system. Component tested U-value 0.58		
WSPH	369.-	Certified Passive House component for cold climate. Minimized thermal bridges. U_0 0.48		
		WSPH custom-made 115.- / WSPH excess size 120.- / WSPH extra height + add. step 75.-		
Optic & comfort Flush with the ceiling for perfect optics. Increased ease of use.				
Ceiling-flush	99.-	Additional lower cover with even surface, white ring eye, plastering profiles, easy-installation system (detachable hatch door)		
Operation stairs		Comfort operation 220.-		






Additional features fire protection for attic stairs

Tested ceiling connection system always included.

Note:

Order dimensions fire protection:

The overall dimensions of the completed fire protection ceiling opening state the order dimensions! With FS30 2S / FS90 2S: Ceiling thickness states casing height (connection above).

	Fire resistance one-sided	Fire resistance double-sided	Fire resistance double-sided
	 30 minutes from below, EI₂₀ Fire protection FS30	 30 minutes from top and bottom Fire protection FS30 2S	 90 minutes from top and bottom Fire protection FS90 2S
Standard sizes	455.-	800.-	2,110.-
Ceiling opening dimensions (Length x Width)	GutHolz/AluDrei/StahlBlau: 120 x 60 Liliput: Custom-made always required	120 x 70 130 x 70 140 x 70	StahlBlau 120 x 60 not available
Casing height (ceiling thickness)		25	

Custom-made	110.-	130.-	180.-
Ceiling opening dimensions (Length x Width)	min. 80 x 50 (Liliput) max. 160 x 80	min. 85 x 50 (Liliput) max. 140 x 80	min. 90 x 55 (Liliput) max. 140 x 70
Excess size	from length > 140 133.-	not available	
Casing height (ceiling thickness)	17 - 90	20 - 60	20 - 50
Extra height and additional step	Number/height depending on type of stairs/thermal protection; per step 63.-	Height depending on type of stairs 95.-	Height depending on type of stairs 150.-

Thermal protection	As standard with thermal protection WS3D		
	WS4D 75.-	not available	
	WSPH 369.-	not available	
Lock	prepared for profile cylinder 60.-		
	with round cylinder 55.-	with profile cylinder 70.-	

Alu concertina loft ladder with backboard



Suitable for the replacement of old stair sections or for the retrofitting of existing hatch fittings (minimum opening size 80 x 60).

Steps	Floor-to-ceiling height	
9	214 - 242	480.-
10	243 - 269	506.-
11	270 - 296	532.-
12	297 - 320	558.-

Order dimension = actual floor to ceiling height: Height between finished floor and finished ceiling.



Installation Assistance 215.-

Complete set
(2 rails in a stable transport case)



Flat roof exit

1,650.-



Always order together with the attic stairs.

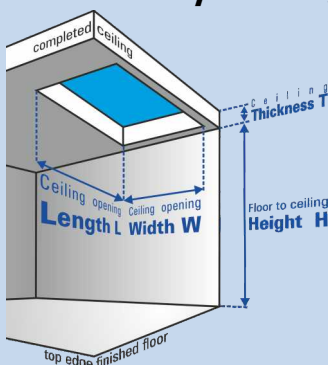
Special sizes only in combination with attic stairs type Liliput.

With construction heights > 45 cm attic stairs custom-made (casing height).

Sizes	Special sizes	
Ceiling opening (Length x Width)	min. 90 x 60 max. 160 x 80	min. 90 x 90 max. 100 x 100
Construction height	45 - 110	

Stair type and additional features may cause divergent dimensions.

The safe way to fitting attic stairs: Dimension check, price calculation, pdf/copy-text.



Always with all **4 dimensions:**

- Ceiling opening length L
- Ceiling opening width W
- Ceiling thickness (casing height) T
(provides EN compliant additional step/s if required due to high casing)
- Floor to ceiling height H
(provides fitting stairs with EN compliant step distance)

Do not forget:

- Guardrail
- Handrail

Configurator:

www.massbox.de

So far German only. Sorry for the inconvenience.





Wall hatches

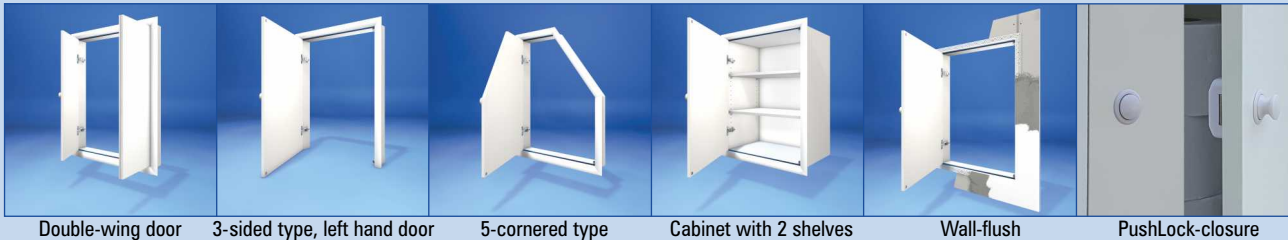
Standard sizes		168.-
Wall opening dimensions (Width x Height)	60 x 80 60 x 100 70 x 80 70 x 100	
Depth of frame	10	

Custom-made		47.-
Wall opening dimensions (Width x Height)	min. 30 x 30 max. 100 x 180	
Depth of frame	> 10 - 25	
Excess width > 70 (Double-wing door)		59.-
Excess height > 100 - 120		44.-
Excess height > 120 - 150		72.-
Excess height > 150 - 180		126.-
Wide cover profiles 55 mm wide, in combination with custom-made wall hatches		28.-



Types & additional features

Not all types and features can be combined with each other. Check with the configurator.



Types & optics		Types and features for diverse applications.	
Double-wing door	Divided door leaf	59.-	Always custom-made 47.- Optional from width 50, always required form width > 70
3-sided type	Without threshold	42.-	Always specify left/right hand door (picture shows left hand door)
5-cornered type	Inclined	225.-	min. 30 x 50, max. 70 x 160, single wing, depth 10 - 15
Cabinet	Dust-tight storage space	65.-	Always custom-made 47.- min. 20 x 45, max. 70 x 100, depth 15 - 40
Shelf for cabinet	per piece	10.-	Always fitting to cabinet size, max. 5 shelves
Wall-flush	Invisible frame	43.-	Thicker door leaf, plastering profiles
PushLock-closure	Retractable knob	21.-	Single wing, width max. 70
Lock with round cylinder		55.-	Single wing, width max. 70
Without handle bore		0.-	Door leaf without pre-drilling, position and kind of handle can be selected on site

Energy conservation	
Thermal protection WS 3D	47.- U-value 0.75, incl. connection system
Thermal protection WS 4D	78.- U-value 0.50, incl. connection system, standard frame depth: 15
Blower-Door-version	50.- a-value 0.04, single wing, max. 70 x 100

Fire protection		Fire resistance 30 minutes double-sided	
Fire protection FS30 2S	595.-	Always custom-made 47.-	min. 30 x 30, max. 70 x 100, depth 12 - 25; specify left/right hand door



Access hatch



Standard sizes		178.-
Ceiling opening (Length x Width)	50 x 50 60 x 60	
Frame height	10	

Custom-made		47.-
Ceiling opening (Length x Width)	min. 30 x 30 max. 75 x 70	
Frame height	> 10 - 25	

Additional features

Energy conservation	
Thermal protection WS 3D	47.-
Thermal protection WS 4D	78.-

Safety	
Lock with round cylinder	55.-

Standard casing height with thermal protection 4D: 15.
Guardrail on request.