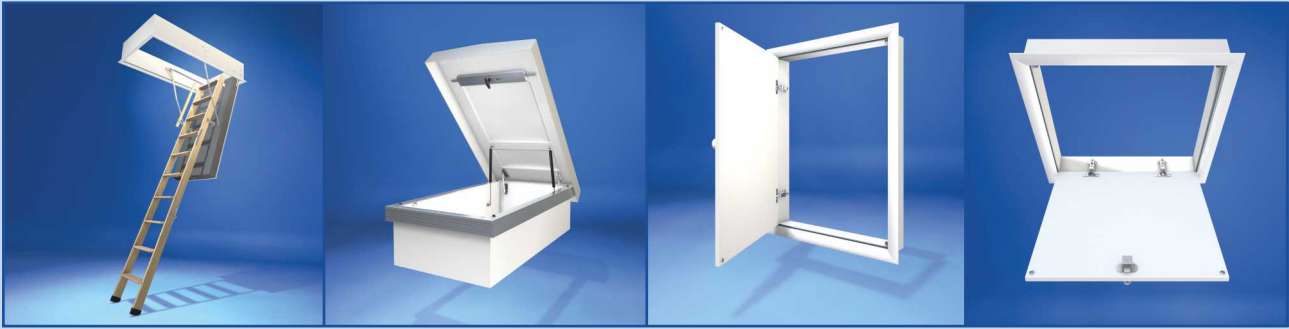


# Wellhöfer - Treppen aus Würzburg



Quick and safe to the fitting product. Use configurators: [www.massbox.de](http://www.massbox.de)

*So far German only. Sorry for the inconvenience.  
Please use internet browser for translation*

## Wellhöfer prices from 01.04.2026

- Attic stairs
- Flat roof exit
- Wall hatches
- Access hatches

**Prices in € plus VAT. Ex-works prices.**

All dimensions in centimetres.

Order dimensions = construction site dimensions.

Attic stairs / access hatches: Ceiling opening dimensions = order dimensions.

For installation space, factory-made casing dimensions (length/width) are 1.5 cm, for WSPH 4 cm, smaller.

Wall hatches: Wall opening dimensions = order dimensions.

For installation space, factory-made frame dimensions (width/height) are 1.5 cm smaller, with 3-sided type frame height 0.75 cm, smaller.

Technical details in the configurator and product descriptions under

[www.wellhoefer.de](http://www.wellhoefer.de)



**CLIMATE NEUTRAL  
PRODUCTS**

certified by fokus-zukunft.com/10014  
Currently unavoidable emissions compensated  
by climate protection certificates



**wellhöfer**  
**TREPPEN AUS WÜRZBURG**  
[www.wellhoefer.de](http://www.wellhoefer.de)



**LOW-EMISSION PRODUCTS**  
according to the criteria of



**SENTINEL HAUS  
INSTITUT**

Wellhöfer Treppen GmbH & Co.KG  
Max-Mengeringhausen-Straße 1  
97084 Würzburg, Germany

[info@wellhoefer.de](mailto:info@wellhoefer.de)  
Tel. +49 (0)9 31 / 6 14 05-0  
Fax +49 (0)9 31 / 6 14 05 71



# Attic stairs

As standard with thermal protection **WS3D**:  
 Insulation + sealing + connection system  
 Component tested:  
 Insulation value U = 0.80  
 Air-tightness Class 4  
 Climate-stability Class 3



<b>GutHolz</b> Always the right choice 3-section, wood, step depth 9 cm	<b>AluDrei</b> For highest resilience 3-section, alu, step depth 11 cm	<b>StahlBlau</b> For special requirements 3-section, steel, step depth 11 cm	<b>LiliPut</b> Comfort within little space Concertina, alu, step depth 11 cm
---	--	--	--

<b>Standard sizes</b>	<b>503.-</b>	<b>780.-</b>	<b>760.-</b>	<b>979.-</b>
Ceiling opening dimensions (Length x Width)	110 x 60 110 x 70	120 x 60 120 x 70	130 x 60 130 x 70	140 x 60 140 x 70
Casing height (ceiling thickness)	25			
<b>Floor-to-ceiling heights</b> Floor-to-ceiling height, type of stairs and additional features determine the minimum length of the ceiling opening!				
Floor-to-ceiling height	197 - 360		237 - 314	
Excess height per cm	2.50		from floor-to-ceiling height >272	

\*Floor-to-ceiling height  $\geq 320$   
 Comfort operation required.

<b>Custom-made 80.-</b>	Divergent dimensions and prices with thermal protection WS4D/WSPH and fire protection.		
Ceiling opening dimensions (Length x Width)	min. 100 x 50 max. 160 x 100	min. 105 x 60 max. 160 x 100	min. 75* x 50 max. 160 x 100
Excess size	76.- from length >140 or width >80		
Casing height (ceiling thickness)	17 - 90		
Extra height and additional step per step	1 step from casing height $\geq 34$ 2 steps from casing height $\geq 67$	1 step from casing height $\geq 36$ 2 steps from casing height $\geq 69$	1 step from casing height $\geq 41$ 2 steps from casing height $\geq 74$
	1 step from casing height $\geq 45$ 2 steps from casing height $\geq 78$		

\*recommended min. length 90 cm to avoid very narrow clearance!

## Additional features

Always order together with the attic stairs. Guardrail and handrail retrofittable.

<b>Safety</b> Features for all requirements and demands				
<b>Guardrail</b>	<b>95.-</b>	Tested stability, required by building regulations.		
<b>Handrail</b>		Handrail wood GH/SB <b>30.-</b>	AluDrei-handrail wood <b>33.-</b>	Handrail wood GH/SB <b>30.-</b>
<b>Lock</b>		with round cylinder <b>59.-</b> / prepared for profile cylinder <b>65.-</b> / with profile cylinder <b>75.-</b>		
<b>Energy conservation</b> Save more energy with better thermal protection:				
<b>WS4D</b>	<b>79.-</b>	Double insulation + sealing + connection system. Component tested U-value 0.58		
<b>WSPH</b>	<b>395.-</b>	Certified Passive House component for cold climate. Minimized thermal bridges. U <sub>0</sub> 0.48		
		WSPH custom-made <b>124.-</b> / WSPH excess size <b>130.-</b> / WSPH extra height + add. step <b>81.-</b>		
<b>Optics &amp; comfort</b> Perfect optics through wider coverage of the installation gap or flush with the ceiling. Increased ease of use.				
<b>Wide cover profiles</b>	<b>42.-</b>	55 mm wide, in combination with custom-made attic stairs; as standard with WSPH		
<b>Ceiling-flush</b>	<b>106.-</b>	Additional lower cover with even surface, white ring eye, plastering profiles, easy-installation system (detachable hatch door)		
<b>Operation stairs</b>		Comfort operation <b>238.-</b>		
<b>Wide steps</b> Ceiling open. W > 70		AluDrei-stairs 45 cm wide <b>49.-</b>		



## Additional features fire protection for attic stairs

Tested ceiling connection system always included.




Note:

### Order dimensions fire protection:

The overall dimensions of the completed fire protection ceiling opening state the order dimensions!

With FS30 2S / FS90 2S:

Ceiling thickness states casing height (connection above).

	Fire resistance one-sided	Fire resistance double-sided	Fire resistance double-sided
	 <b>30 minutes from below, EI<sub>2,30</sub></b> <b>Fire protection FS30</b>	 <b>30 minutes from top and bottom</b> <b>Fire protection FS30 2S</b>	 <b>90 minutes from top and bottom</b> <b>Fire protection FS90 2S</b>
<b>Standard sizes</b>	<b>494.-</b>	<b>862.-</b>	<b>2,279.-</b>
Ceiling opening dimensions (Length x Width)	GutHolz/AluDrei/StahlBlau: 120 x 60 120 x 70 130 x 70 140 x 70 Liliput: Custom-made always required		StahlBlau 120 x 60 not available
Casing height (ceiling thickness)	25		

<b>Custom-made</b>	<b>120.-</b>	<b>142.-</b>	<b>196.-</b>
Ceiling opening dimensions (Length x Width)	min. 80 x 50 (Liliput) max. 160 x 80	min. 85 x 50 (Liliput) max. 140 x 80	min. 90 x 55 (Liliput) max. 140 x 70
Excess size	from length > 140 <b>145.-</b>	not available	
Casing height (ceiling thickness)	17 - 90	20 - 60	20 - 50
Extra height and additional step	Number/height depending on type of stairs/thermal protection; per step <b>69.-</b>	Height depending on type of stairs <b>103.-</b>	Height depending on type of stairs <b>164.-</b>

<b>Thermal protection</b>	As standard with thermal protection WS3D		
	<b>WS4D 79.-</b>	not available	
	<b>WSPH 395.-</b>	not available	
<b>Lock</b>	prepared for profile cylinder <b>65.-</b> / with profile cylinder <b>75.-</b>		
	with round cylinder <b>59.-</b>	Round cylinder not available	



## Concertina loft ladder with backboard

Always specify version!

- For ceiling installation horizontal  
Order size = Ceiling height: floor-to-ceiling height.  
Ceiling opening length: min. 80 cm, \*85 cm, \*\*90 cm
- For wall installation vertical  
Order size = Floor height: floor-to-floor height.



Steps	Ceiling installation horizontal	Wall installation vertical	
	Ceiling height	Floor height	
9	214 - 242	241 - 269	<b>515.-</b>
10	243 - 269	270 - 296	<b>542.-</b>
11	270 - 296*	297 - 323	<b>571.-</b>
12	297 - 320**	324 - 347	<b>599.-</b>



## Installation Assistance **230.-**

Complete set  
(2 rails in a stable transport case)



## Flat roof exit

**1,850.-**



Always order together with the attic stairs.

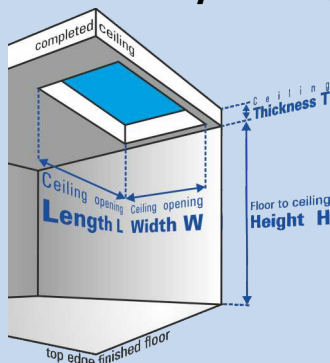
Special sizes only in combination with attic stairs type Liliput.  
With construction heights > 45 cm attic stairs custom-made (casing height).

Sizes	Standard	Special size	Extrawide
Ceiling opening (Length x Width)	min. 90 x 60 max. 160 x 80	min. 90 x 90 max. 100 x 100	min. 130 x 90 max. 160 x 100
Construction height	45 - 110		

Stair type and additional features may cause divergent dimensions.

Fall protection	<b>Safety railing</b>	<b>1,780.-</b>
-----------------	-----------------------	----------------

## The safe way to fitting attic stairs: Dimension check, price calculation, pdf/copy-text.



Always with all **4** dimensions:

- Ceiling opening length L
- Ceiling opening width W
- Ceiling thickness (casing height) T  
(provides EN compliant additional step/s if required due to high casing)
- Floor-to-ceiling height H  
(provides fitting stairs with EN compliant step distance)

Do not forget:

- Guardrail
- Handrail

**Configurator:**

[www.massbox.de](http://www.massbox.de)



So far German only. Sorry for the inconvenience.  
Please use internet browser for translation



# Wall hatches

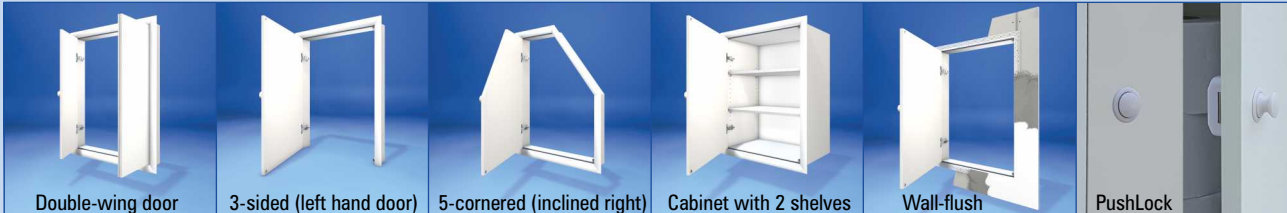
Standard sizes		181.-
Wall opening dimensions (Width x Height)	60 x 80    60 x 100 70 x 80    70 x 100	
Depth of frame	10	



Custom-made		52.-
Wall opening dimensions (Width x Height)	min. 30 x 30 max. <b>120* x 200*</b>	
Depth of frame	> 10 - 25	
Excess height > 100 - 120		48.-
Excess height > 120 - 150		78.-
Excess height > 150 - 180		138.-
Excess height > 180 - 200		179.-

\*For width > 70 always double-wing door. For width > 100 or height > 180: Espagnolette-PushLock always required. Surcharges see below. For 3-sided type or large sizes (width > 90 cm or height > 160 cm), the frame is supplied as a plug-in system (transport protection).

## Shapes, types & features Not everything can be combined. Check with the configurator.



Shapes		
Wide range of applications through different shapes		
<b>Double-wing door</b> Divided door leaf	65.-	Always custom-made 52.- Optional from width 50, always required form width > 70
<b>3-sided type</b> Without threshold	46.-	Always specify left/right hand door (picture shows left hand door), max. 100 x 180
<b>5-cornered type</b> Inclined	198.-	Always custom-made 52.- min. 30 x 50, max. 70 x 160, single wing
<b>Cabinet</b> Dust-tight storage space	72.-	Always custom-made 52.- min. 20 x 45, max. 70 x 100, depth 15 - 40
Shelf for cabinet, per piece	11.-	Always fitting to cabinet size, max. 5 shelves
Features & optics		
Additional features for individual requirements		
<b>Wide cover profiles</b> 55 mm wide	30.-	in combination with custom-made wall hatches
<b>Wall-flush</b> Invisible frame	47.-	Thicker door leaf, plastering profiles
<b>PushLock-closure</b> Retractable knob	23.-	Single lock vertical centered, single wing, width max. 70
<b>Espagnolette-PushLock</b>	72.-	Retractable knob, 3-point locking, always required from width > 100 or height > 180
<b>Lock with round cylinder</b>	59.-	Single wing, width max. 70
<b>Without handle bore</b>	0.-	Door leaf without pre-drilling, position and kind of handle can be selected on site
Energy conservation		
Thermal protection <b>WS 3D</b>	51.-	U-value 0.75, incl. connection system
Thermal protection <b>WS 4D</b>	84.-	U-value 0.50, incl. connection system, standard frame depth: 15
<b>Blower-Door-version</b>	53.-	a-value 0.04, single wing, max. 70 x 100
Fire protection		
Fire resistance 30 minutes double-sided		
Fire protection <b>FS30 2S</b>	650.-	Always custom-made 52.- min. 30 x 30, max. 70 x 100, depth 12 - 25; specify left/right hand door



# Access hatches



Standard sizes		191.-
Ceiling opening (Length x Width)	50 x 50 60 x 60	
Frame height	10	
Custom-made		52.-
Ceiling opening (Length x Width)	min. 30 x 30 max. 75 x 70	
Frame height	> 10 - 25	

## Additional features

Energy conservation	
Thermal protection <b>WS 3D</b>	51.-
Thermal protection <b>WS 4D</b>	84.-
Optics & safety	
<b>Wide cover profiles</b> with custom-made	30.-
<b>Lock with round cylinder</b>	59.-

Standard casing height with thermal protection 4D: 15. Guardrail on request.