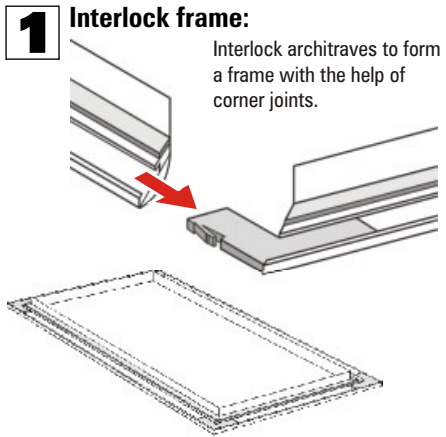


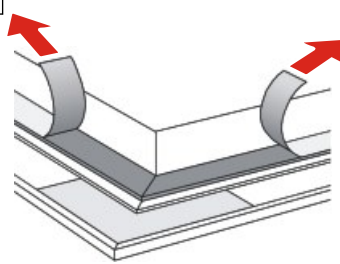
# Installation Guide Architraves

Unpack and mount architraves only after completion of any other work on the ceiling!

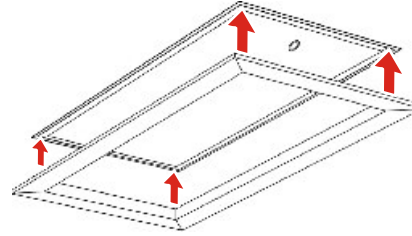


**2** Attach frame by way of trial.

**3 Uncover adhesive tape:**

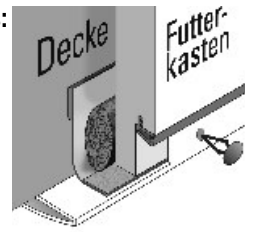


**4 Mount architraves:**  
Keep attic hatch closed and press frame from below onto clean lining bar and press firmly.



**5 Position retaining pins:**

Secure architraves on both longitudinal sides, 2 times respectively:  
- drill  $\varnothing$  4mm at a distance of approx. 20 cm to the corner and approx. 1.5 cm to the bottom edge  
- push in retaining pins



**6** Remove protective foil from architrave bottom.

**weilhöfer**  
TREPPEN AUS WÜRZBURG