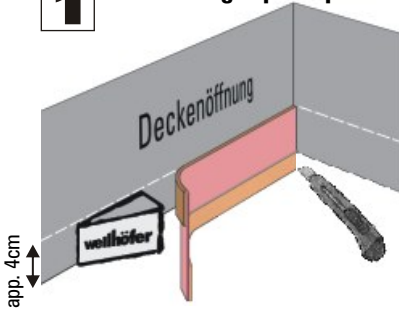


Installation Guide Sealing System



! Always apply sealing tape prior to installation of attic hatch!

1 Glue sealing tape in place:

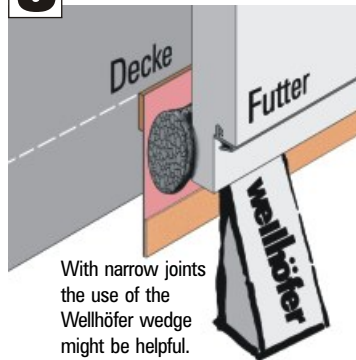


Cut off in corners and re-apply.

! Watch ceiling construction! (see below)

2 Install attic hatch (see Installation Guide Attic Hatch)

3 Push in insulation braid:

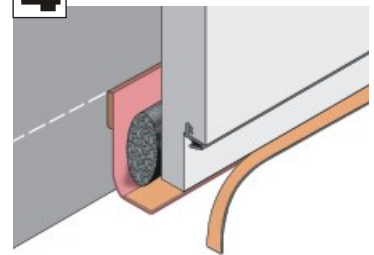


With narrow joints the use of the Wellhöfer wedge might be helpful.

Cut off in corners and re-apply. For close connection upset joints in the corners.

FeuerSchutz For attic stairs with fire protection: Push in non-flammable fire protection braid instead of insulating braid! (see Installation Guide Attic Hatch)

4 Closing of gap:



If required, cut projecting tape flush with joint angles.

Glue sealing tape to lining bar all over.

5 Install architraves (see Installation Guide Architraves)

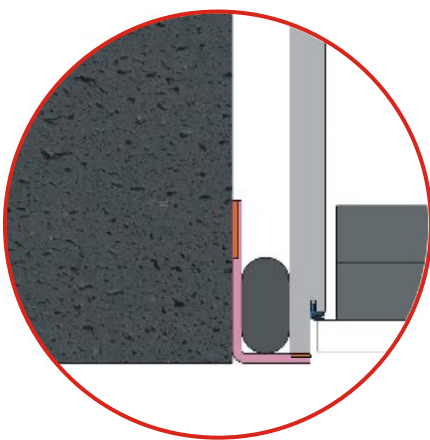
Full effect is gained only if the sealing system has been implemented as described above.



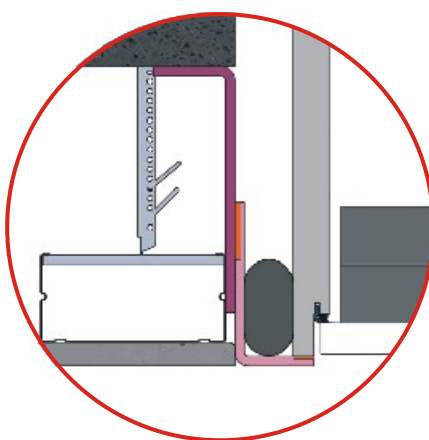
Airtight connection with various ceiling constructions:

! Glue Wellhöfer sealing tape tightly and securely onto the on-site airtight barrier!
! Watch ceiling construction and where necessary fill additional insulation into gap on-site.

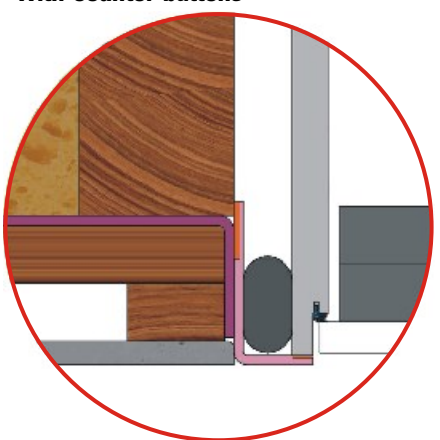
Solid Ceiling



Suspended Ceiling



Joist Ceiling with counter battens



Wellhöfer WärmeSchutz with Sealing System:
 Reliability for EnEV* and blower-door-test.
 *(German Energy Conservation Regulation)

